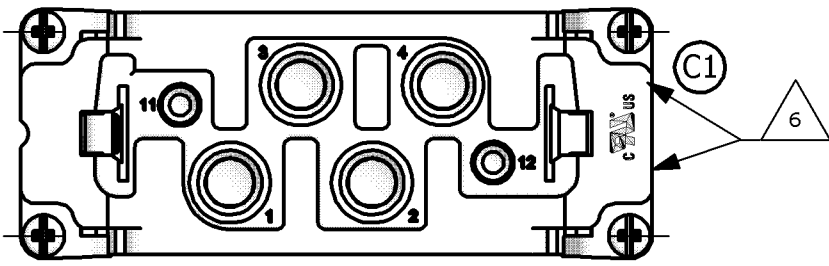


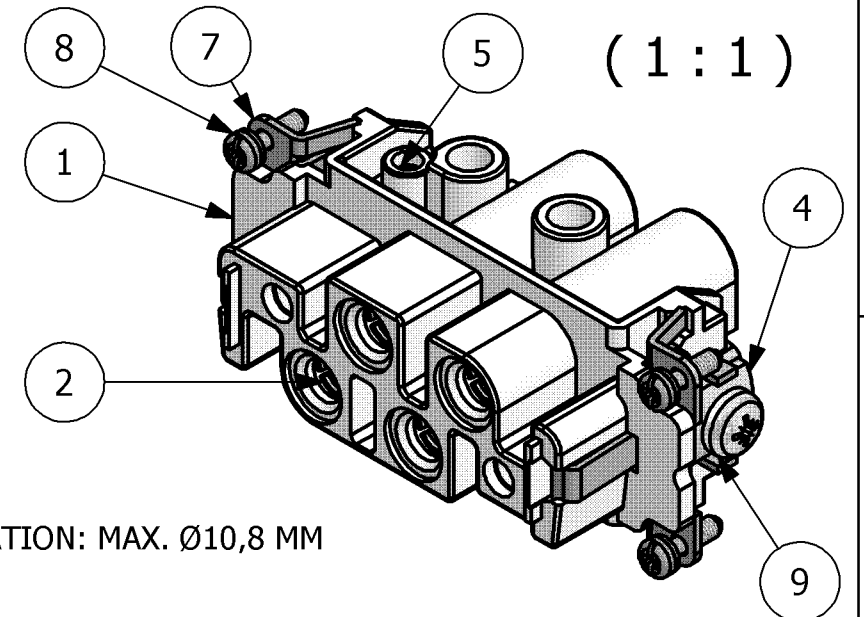
**CONTACT ARRANGEMENT  
VIEW FROM CONECTING SIDE**



**A (2:1)**

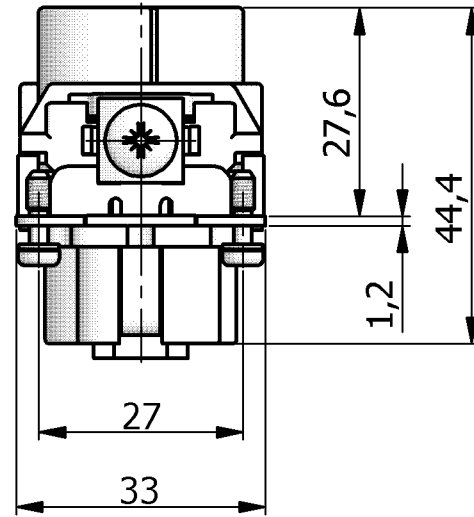
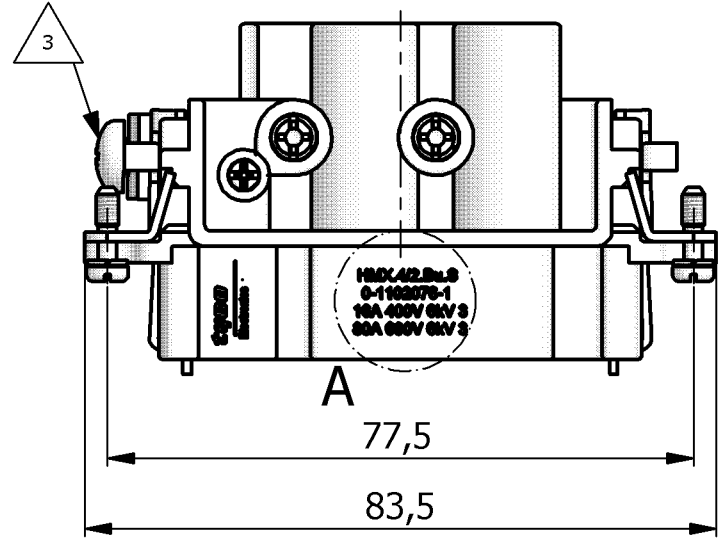
**HMX.4/2.BU.S**  
**0-1102076-1**  
**16A 400V 6kV 3**  
**80A 690V 6kV 3**

0-1 AS SHOWN  
ORDERING TEXT: HMX.4/2.BU.S

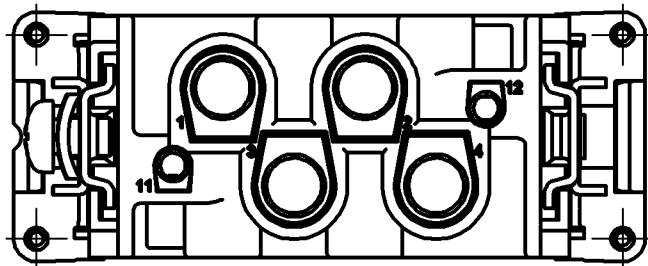


**NOTES**

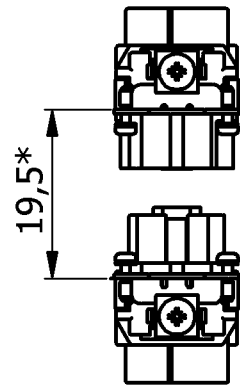
- 1 POWER CONTACT: 1 TO 4  
OUTER DIMENSIONS OF INSULATION: MAX. Ø10,8 MM
- 2 SIGNAL CONTACT: 11 AND 12  
OUTER DIMENSIONS OF INSULATION: MAX. Ø4,8 MM
- 3 GROUNDING CONTACT
- 4 SUITABLE HOOD SIZE 6: SERIES HB; HD; EMV AND HIP
- 5 STANDARDS:  
DIN EN 61984; DIN EN 60664-1
- 6 UL; CSA AUTHORISATION
- 7 PACKAGING:  
5 PIECES IN A CARTON



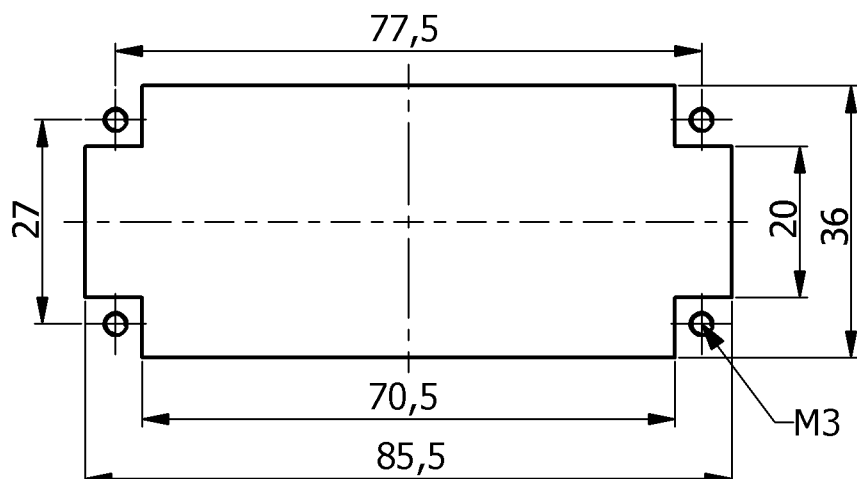
**CONTACT ARRANGEMENT  
VIEW FROM TERMINATION SIDE**



\* DISTANCE FOR GUARANTEED CONTACT MAX. 21 mm



**PANET CUT-OUT CONTACT INSERT  
WHEN USED WITHOUT HOUSING**



QTY.	DESCRIPTION	MATERIAL	SURFACE	COLOR	NOTE	ITEM
1	SCREW	STEEL	NICKEL PLATED	BLUE	DIN EN ISO 1207-M5X8	9
4	FIXING SCREW	STEEL	NICKEL PLATED	BLUE	M3X10,5	8
2	SOCKET GROUNDING CONTACT	BRASS	NICKEL PLATED	BLUE	-	7
4	THREAD PIN	STEEL	NICKEL PLATED	BLUE	-	6
2	CONTACT SCREW	STEEL	NICKEL PLATED	BLUE	M3X5,7	5
1	CLAMP TAB	STEEL	NICKEL PLATED	BLUE	---	4
2	SOCKET CONTACT	BRASS	SILVER PLATED	BLUE	-	3
4	SOCKET CONTACT	BRASS	SILVER PLATED	BLUE	-	2
1	FEMALE INSERT	PBT-GF30	-	LIGHT GREY	-	1

**PARTS LIST**

THIS DRAWING IS A CONTROLLED DOCUMENT FOR AMP INCORPORATED. IT IS SUBJECT TO CHANGE AND THE CONTROLLING ENGINEERING ORGANIZATION SHOULD BE CONTACTED FOR THE LATEST REVISION. DIESSES ZEICHNUNGSDOKUMENT WIRD DURCH AMP INCORPORATED KONTROLLIERT. AENDERUNGEN, DIE DEN TECHNISCHEN FORTSCHRITT DIENEN, SIND VORBEHALTEN. DEN JEWEILS LETZTIGUELTIGEN AENDERUNGSSTAND ERFAHREN SIE AUF ANFRAGE.		DWN 12.07.2005	<b>tyco</b> Electronics		Tyco / Electronics AMP GmbH D - 53819 Neunkirchen	
DIMENSIONS: DIMENSIONEN: mm		CHK 12.07.2005	<b>FEMALE INSERT</b> <b>HMX.4/2.BU.S</b>			
TOLERANCES UNLESS OTHERWISE SPECIFIED: ALLGEMEINTOLERANZEN		APVD -				
n. ISO 8015 - n. ISO 2768 - mH-E n. DIN 16901- 140		PRODUCT SPEC. PRODUKTSPEZ.	108-74058		SIZE	CAGE CODE
0 PLC # 1 PLC # 2 PLC # 3 PLC # ANGLES / WINKEL #		APPLICATION SPEC. VERARBEITUNGSSPEZ.	114-74058		DRAWING NO ZEICHNUNGS-NR.	
MATERIAL		WEIGHT GEWICHT	0,126 KG		RESTRICTED TO NUR FUER	
FINISH / OBERFLAECHE / FARBE		CUSTOMER DRAWING / KUNDENZEICHNUNG		SCALE MASSSTAB	1:1	SHEET BLATT
				OF VON	1	REV. D1